

*** NOTICES ***

JPO and INPIT are not responsible for any damages caused by the use of this translation.

- 1.This document has been translated by computer. So the translation may not reflect the original precisely.
- 2.**** shows the word which can not be translated.
- 3.In the drawings, any words are not translated.

CLAIMS

[Claim(s)]

[Claim 1] In the golf ball shaping metal mold equipped with two or more molding material injection gates which have the mold cavity of the shape of a hollow ball by which a core ball is arranged inside, and carry out opening to this mold cavity When the above-mentioned gate is located in the area of both sides where at least the part is far apart from the equatorial plane of a mold cavity and a molding material is injected with the same output toward the core of a mold cavity, respectively from all the gates, Golf ball shaping metal mold characterized by arranging each gate in the location where the sum of the vector of a injection ingredient becomes parenchyma top 0.

[Claim 2] The gate established in both the areas of the above-mentioned equator is golf ball shaping metal mold according to claim 1 which is in the location of 15 degrees - 90 degrees to an equatorial plane.

[Claim 3] Each gate is golf ball shaping metal mold according to claim 1 or 2 characterized by arranging all the angles of nip of the ***** above-mentioned axis in the equal location at ** per [which connects the core and core of a mold cavity] axis.

[Claim 4] The above-mentioned gate is golf ball shaping metal mold according to claim 1 or 2 respectively arranged one place in the location of a two-poles point while more than one have been arranged on a periphery near the perimeter of the equatorial plane of a mold cavity, or the equatorial plane at part regular intervals.

[Translation done.]

*** NOTICES ***

JPO and INPIT are not responsible for any damages caused by the use of this translation.

- 1.This document has been translated by computer. So the translation may not reflect the original precisely.
- 2.**** shows the word which can not be translated.
- 3.In the drawings, any words are not translated.

DETAILED DESCRIPTION

[Detailed Description of the Invention]

[0001]

[Field of the Invention] This invention relates to the golf ball shaping metal mold which can manufacture efficiently certainly the golf ball of the high quality which has uniform covering without especially eccentricity about the approach of covering a core ball with covering and manufacturing a golf ball.

[0002]

[Description of the Prior Art] When obtaining conventionally the golf ball which carried out injection molding of the cover layer to the front face of a core ball, and covered the core ball with covering, while arranging a core ball in the metal mold of 2 rates, this core ball is supported by the support pin, and the approach of injecting covering material and fabricating a cover layer in the mold cavity formed between the metal mold inner surface and the core ball front face, is taken.

[0003] Namely, as shown in drawing 4 (A) and (B), a core ball 5 is arranged to the mold cavity 4 in the metal mold 1 which consists of up-and-down half-molds 2 and 3. The above-mentioned core ball 5 is held to the center position of the mold cavity 4 in metal mold 1 by the support pin 6 prepared in the vertical molds 2 and 3 along with up down one, respectively. It injects in the clearance formed by making melting resin into covering material through the gate 9 between metal mold 1 inner surface and core ball 5 front face from the runner 8 stationed at mating face (parting line side) 7 part of the vertical molds 2 and 3. By making a support pin 6 leave a mold cavity 4 in the place where this melting resin has flowed around a support pin 6, carrying out injection impregnation of the melting resin further, and being filled up in a mold cavity 4 Obtaining the golf ball with which the cover layer was formed in the whole front face of a core ball 5 by this melting resin and by which the core ball 5 was covered with covering is performed.

[0004]

[Problem(s) to be Solved by the Invention] however, when manufacturing a golf ball using the above-mentioned equipment, it is difficult to form thin covering which eccentricity tends to produce -- etc. -- there is a trouble.

[0005] That is, the above-mentioned core ball is an elastic body as well as covering, since the injection pressure of a covering ingredient is usually the extra-high voltage of no less than 1,400-2,000kg/cm², if a molding material is injected from a longitudinal direction, with the pressure, a core ball will deform in the vertical direction in the shape of an ellipse ball, the clearance between mold cavities will expand it [near the gate], and a clearance will reduce it to reverse in an up-and-down location. And after injection, before a core ball reverts to the original sphere, a part of cover layer will solidify. Consequently, uneven covering will be formed on a core ball. When fabricating 1mm or light-gage covering not more than it especially, a core ball may almost be exposed on the surface of a ball.

[0006] Moreover, when injection molding comparatively heavy-gage covering, the nonconformity based on the above-mentioned trouble has the remarkably large burden of a support pin based on [it is the same and] an injection pressure, and may carry out eccentricity.

[0007] This invention aims at offering the injection-molding metal mold of the golf ball which can

manufacture the golf ball which has uniform covering which was made in view of the above-mentioned situation, and does not have eccentricity.

[0008]

[Means for Solving the Problem] In the golf ball shaping metal mold equipped with two or more molding material injection gates which have the mold cavity of the shape of a hollow ball by which a core ball is arranged inside, and carry out opening to this mold cavity in order that this invention may attain the above-mentioned object When the above-mentioned gate is located in the area of both sides where at least the part is far apart from the equatorial plane of a mold cavity and a molding material is injected with the same output toward the core of a mold cavity, respectively from all the gates, The golf ball shaping metal mold characterized by arranging each gate in the location where the sum of the vector of a injection ingredient becomes parenchyma top 0 is offered.

[0009] In this case, the gate established in both the areas of the above-mentioned equator can be established in the location of 15 degrees - 90 degrees to an equatorial plane, and, as for each gate, it is desirable that all the angles of nip of the ***** above-mentioned axis are arranged in the equal location at ** per [which connects that core and core of a mold cavity] axis. Furthermore, it is desirable that one place is arranged respectively in the location of a two-poles point while two or more above-mentioned gates are arranged on a periphery near the perimeter of the equatorial plane of a mold cavity, or the equatorial plane at part regular intervals.

[0010] Since the golf ball shaping metal mold of this invention arranges the gate so that the sum of the vector of a injection ingredient may be set to parenchyma top 0 when a molding material is injected with the same output toward the core of a mold cavity from all the gates, [when injection molding 1mm or light-gage covering not more than it on a core ball] Light-gage covering which can prevent advantageously deformation (crushing deformation to the direction of two poles) of the core ball resulting from an injection pressure, therefore has uniform thickness can be fabricated, and reduction of a defective and the golf ball which has uniform elasticity can be manufactured.

[0011] and — reducing the number of these pins or making it thin, since the burden of the support pin at the time of injection molding is mitigated remarkably **** — etc. — it can carry out.

[0012]

[The gestalt and example] of implementation of invention Hereafter, with reference to drawing 1 -3, it explains in more detail per this invention. In addition, in drawing 1 -3, the reference mark same about the same component part as drawing 4 is attached, and the explanation is omitted.

[0013] The sectional view of the metal mold which 1st example drawing 1 and 2 show the 1st example of this invention, and saw drawing 1 from the side, and drawing 2 are the top views of the female mold seen from the upper part.

[0014] This metal mold 1 has the hollow ball-like mold cavity 4, and consists of the punch 2 and female mold 3 which are carried out 2 ****s in the equatorial plane location of a mold cavity 4, and the wall surface of a mold cavity 4 forms much heights for carrying out a dimple with a mold in the front face of golf ball covering (graphic display abbreviation of heights). The core ball 5 with which a punch 2 and female mold 3 were supported by two or more support pins 6 is set to the core of a mold cavity 4. In this example, it is equipped with the support pin 6 which can march out and retreat freely in four mold cavities 4 at equal intervals on the circle drawn in predetermined distance (radius) from the pole 10 (vertical mold).

[0015] In drawing 1 and the condition of having set the core ball 5 like 2, the maximum d of the clearance between a core ball 5 and mold cavity 4 wall surface (distance between the locations between a core ball and the heights with a dimple mold of a mold cavity wall surface) is around 1mm, and the value of d is about 0.8mm in the condition before injection in this example.

[0016] In drawing 1 and the example shown in 2, it has the eight gates 9 (they are four pieces to four pieces and female mold in a punch) for a covering molding material, for example, resin injection. All are arranged in the location where these gates 9 were far apart from the equatorial plane. In addition, each gate 9 stands in a row in one or two or more injection molding machines (not shown) through the well-known hot runner 8.

[0017] Here, each above-mentioned gate 9 is arranged in the location where the sum of the vector of a injection ingredient becomes 0, when a molding material is injected with the same output toward mold cavity 4 core, respectively from these gates 9 (assuming that it was injected with the same output).

[0018] If it states based on drawing 1 and 2, more specifically, the angles of nip alpha (drawing 1) and beta (drawing 2) of a ***** axis are altogether arranged at ** in the equal (alpha=beta = 90 degrees) location about the axis with which each gate 9 connects the core and core of a mold cavity 4.

[0019] In this invention, when the location of the gate which keeps its distance from an equatorial plane and is arranged in a both-sides area is shown at an angle of [gamma] the axis of the gate to an equatorial plane, its range of 15 degrees - 90 degrees is desirable.

[0020] 2nd example drawing 3 is the conceptual diagram of a metal mold cross section which shows the 2nd example and was seen from the side.

[0021] the description of this example -- the perimeter of the equatorial plane of a mold cavity 4 -- the gate 9 -- two or more -- for example, 4-12-piece regular intervals -- preparing (it preparing in eight-piece regular intervals in this example), although it is the point of having established the one each gate 9 in the location of the two-poles points 10 and 10 Also in this example, when a molding material is injected toward mold cavity 4 core from each gate 9, the sum of the vector of a injection ingredient is 0, and the gate 9 is formed so that the sum of this vector may be set to 0.

[0022] In addition, in this example, the distance d of a core ball 5 and mold cavity 4 wall surface is the same as that of the 1st example. Moreover, if it is in this example, each gate 9 stands in a row in an injection molding machine (not shown) through a cold runner.

[0023] In the 2nd example of the above, rather than the gate of a perimeter [equatorial plane] location, the gate of a two-poles point location enlarges opening, and a injection output can be heightened or it can heighten the injection output itself. However, of course, it is necessary to balance the output of both locations in this case. Moreover, the gate of a pole location can also keep and prepare 3-4 equal spacing mutually two or more not only this location but on the concentric circle which kept its distance (radius) from the pole.

[0024] About the gate of the perimeter of an equatorial plane, since they are doubling locations (mould division location) of a vertical mold, the location on an equatorial plane periphery can be avoided, and the locations of an equatorial plane are few from an equatorial plane, or they can place the pair (tunnel gate) of the gate on the same circles of longitude from which its distance was kept up and down, can place regular intervals on the periphery of an equatorial plane, and can prepare it.

[0025] As for an injection molding machine, it is desirable to prepare for every mold cavity, or to hot-runner-ize, and to lengthen the floating die length of a injection ingredient.

[0026] Although used for the injection-molding metal mold of this invention covering and fabricating covering to a core ball, an approach well-known as the injection-molding approach using this metal mold is adopted. In this case, although an injection pressure is the high voltage of [having mentioned above] 1,400-2,000kg/cm² If it was in the metal mold of this invention, when a molding material is injected with the same output toward the core of a mold cavity, respectively from all the gates, Since the sum of the vector of a injection ingredient is parenchyma top 0 and the pressure of a injection ingredient is applied uniformly [a parenchyma top] to a core ball, a core ball is crushed for example, in the direction of an equatorial plane, and the inconvenience of deforming in the direction of the pole in the shape of an ellipse ball does not arise. That is, a core ball is kept spherical on parenchyma, even if the high voltage by the injection ingredient is applied. For this reason, when injection molding of the covering is carried out, covering of uniform thickness can be obtained, and since deformation of the core ball resulting from an injection pressure is prevented when forming thin covering especially (when spacing of a core ball and a mold cavity peripheral wall is narrow), thin covering which has uniform thickness can be fabricated certainly.

[0027] Moreover, although an easy, another means by which are mitigated remarkably, and can reduce the number of a support pin for this reason, or the burden of the support pin which

supports a core ball focusing on a mold cavity can use a thin support pin, and sets a core ball further focusing on a mold cavity is needed since a pressure is applied uniformly [a parenchyma top] to a core ball in this way, it is also possible to lose all support pins.

[0028] In addition, in this invention, there is no limit in the class of core ball, a solid core or a spool core is sufficient, and a two-piece solid golf ball, and the multilayer core solid golf ball and spool golf ball more than a three-piece can be fabricated by using the golf ball shaping metal mold of this invention.

[0029]

[Effect of the Invention] According to the golf ball shaping metal mold of this invention, the golf ball which has covering of uniform thickness without eccentricity also in the case of thin covering can be obtained efficiently certainly.

[Translation done.]

*** NOTICES ***

JPO and INPIT are not responsible for any damages caused by the use of this translation.

- 1.This document has been translated by computer. So the translation may not reflect the original precisely.
- 2.*** shows the word which can not be translated.
- 3.In the drawings, any words are not translated.

DESCRIPTION OF DRAWINGS

[Brief Description of the Drawings]

[Drawing 1] It is the sectional view of the metal mold seen from the side explaining the 1st example of this invention.

[Drawing 2] It is the top view of the female mold seen from the upper part explaining the 1st example of this invention.

[Drawing 3] It is the sectional view of the shaping metal mold explaining the 2nd example of this invention.

[Drawing 4] In the shaping metal mold of the conventional example, the sectional view which saw (A) from the side, and (B) are the top views of the female mold seen from the upper part.

[Description of Notations]

- 1 Metal Mold
- 2 Punch
- 3 Female Mold
- 4 Mold Cavity
- 5 Core Ball
- 6 Support Pin
- 7 Equatorial Plane
- 8 Runner
- 9 Gate
- 10 Pole

[Translation done.]

PATENT ABSTRACTS OF JAPAN

(11)Publication number : 10-175231

(43)Date of publication of application : 30.06.1998

(51)Int.Cl. B29C 45/26
// B29L 31:54

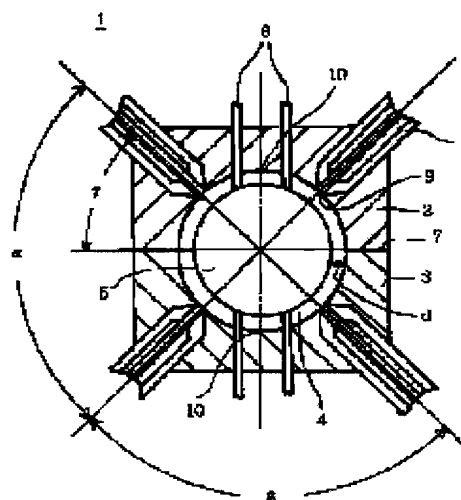
(21)Application number : 08-353631 (71)Applicant : BRIDGESTONE SPORTS CO LTD
(22)Date of filing : 17.12.1996 (72)Inventor : YAMAGUCHI TAKEHIKO

(54) MOLD FOR MOLDING GOLF BALL

(57)Abstract:

PROBLEM TO BE SOLVED: To effectively, efficiently obtain a golf ball having a cover of uniform thickness without eccentric deviation even in the case of a thin cover.

SOLUTION: In the mold 1 for molding a golf ball comprising a hollow spherical cavity 4 including a core ball 5 disposed therein, and a plurality of molding material injection gates 9 opened at the cavity 4, the gates 9 are partly disposed areas of both sides separate from an equator face of the cavity 4, and the respective gates 4 are disposed at positions where a sum of vectors of injecting material becomes substantially zero when the material is injected from all the gates toward a center of the cavity 4 by the same outputs.



LEGAL STATUS

[Date of request for examination] 06.08.2003

[Date of sending the examiner's decision of rejection]

[Kind of final disposal of application other than the examiner's decision of rejection or application converted registration]

[Date of final disposal for application]

[Patent number] 3636259

[Date of registration] 14.01.2005

[Number of appeal against examiner's decision of rejection]

[Date of requesting appeal against examiner's decision of rejection]

[Date of extinction of right]

(19) 日本国特許庁 (JP)

(12) 公開特許公報 (A)

(11) 特許出願公開番号

特開平10-175231

(43) 公開日 平成10年(1998)6月30日

(51) Int.Cl.⁶

識別記号

F I

B 2 9 C 45/26

B 2 9 C 45/26

// B 2 9 L 31:54

審査請求 未請求 請求項の数4 FD (全5頁)

(21) 出願番号

特願平8-353631

(71) 出願人 592014104

ブリヂストンスポーツ株式会社

東京都品川区南大井6丁目22番7号

(22) 出願日

平成8年(1996)12月17日

(72) 発明者 山口 武彦

埼玉県秩父市大野原20番地
ブリヂストン
スポーツ株式会社内

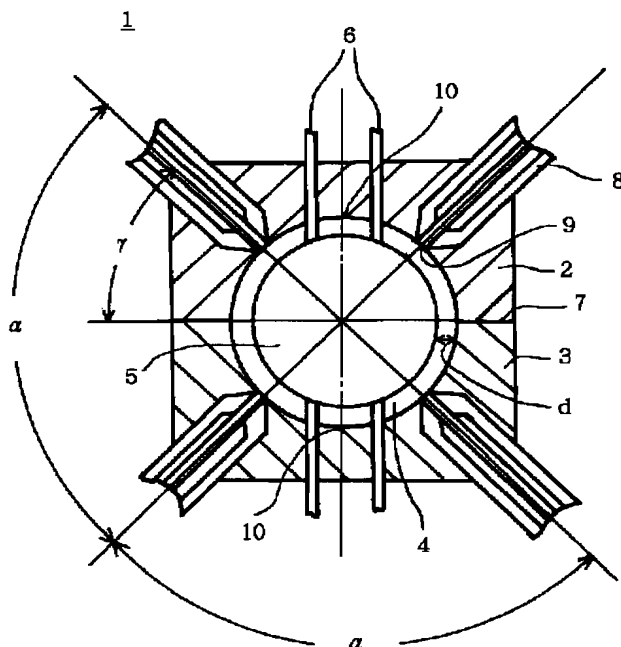
(74) 代理人 弁理士 小島 隆司 (外1名)

(54) 【発明の名称】 ゴルフボール成形金型

(57) 【要約】

【解決手段】 内部に芯球が配置される中空球状のキャビティを有し、このキャビティに開口する複数の成形材料射出ゲートを備えたゴルフボール成形金型において、上記ゲートはその少なくとも一部がキャビティの赤道面から隔たる両側の区域にあり、且つ、総てのゲートからキャビティの中心へ向かって成形材料が夫々同一出力で射出されたとき、射出材料のベクトルの和が実質上0となる位置に各ゲートが配置されていることを特徴とするゴルフボール成形金型。

【効果】 本発明のゴルフボール成形金型によれば、薄いカバーの場合でも偏心のない均一な厚さのカバーを有するゴルフボールを確実に効率よく得ることができる。



【特許請求の範囲】

【請求項1】 内部に芯球が配置される中空球状のキャビティを有し、このキャビティに開口する複数の成形材料射出ゲートを備えたゴルフボール成形金型において、

上記ゲートはその少なくとも一部がキャビティの赤道面から隔たる両側の区域にあり、且つ、総てのゲートからキャビティの中心へ向かって成形材料が夫々同一出力で射出されたとき、射出材料のベクトルの和が実質上0となる位置に各ゲートが配置されていることを特徴とするゴルフボール成形金型。

【請求項2】 上記赤道の両区域に設けたゲートは、赤道面に対し15°～90°の位置にある請求項1記載のゴルフボール成形金型。

【請求項3】 各ゲートは、その中心とキャビティの中心を結ぶ軸線につき互に隣合った上記軸線の挟角が総て等しい位置に配置されていることを特徴とする請求項1又は2記載のゴルフボール成形金型。

【請求項4】 上記ゲートは、キャビティの赤道面の周囲または赤道面の近傍に周上複数箇所等間隔に配置されると共に、両極点の位置に各々1箇所配置された請求項1又は2記載のゴルフボール成形金型。

【発明の詳細な説明】

【0001】

【発明の属する技術分野】本発明は、芯球をカバーで被覆してゴルフボールを製造する方法に関し、特に偏心のない均一なカバーを有する高品質のゴルフボールを効率よく確実に製造することができるゴルフボール成形金型に関する。

【0002】

【従来の技術】従来、芯球の表面にカバー層を射出成形して芯球をカバーで被覆したゴルフボールを得る場合、2つ割の金型内に芯球を配置すると共に、この芯球をサポートピンで支持し、金型内面と芯球表面との間に形成されたキャビティ内にカバー材を射出してカバー層を成形する方法が採られている。

【0003】即ち、図4(A)及び(B)に示したように、上下の半型2, 3からなる金型1内のキャビティ4に芯球5を配置し、上下型2, 3にそれぞれ上下方向に沿って設けられたサポートピン6で上記芯球5を金型1内のキャビティ4の中心位置に保持して上下型2, 3の合せ面(parting line)7部分に配置されたランナー8からゲート9を通して熔融樹脂をカバー材として金型1内面と芯球5表面との間に形成された隙間に射出し、該熔融樹脂がサポートピン6の周りまで流れて来たところでサポートピン6をキャビティ4から退出させ、更に熔融樹脂を射出注入してキャビティ4内に充填することにより、該熔融樹脂で芯球5の表面全体にカバー層を形成し、芯球5がカバーで被覆されたゴルフボールを得ることが行われている。

【0004】

【発明が解決しようとする課題】しかしながら、上記装置を使用してゴルフボールを製造する場合、偏心が生じ易い、薄いカバーを形成することが困難である等の問題点がある。

【0005】即ち、上記芯球は、カバーと同様に弾性体であり、カバー材料の射出圧力が通常1, 400～2, 000kg/cm²もの超高压であるため、横方向から成形材料が射出されると、その圧力によって芯球は上下方向に楕円球状に変形し、その結果、ゲートの近傍においてはキャビティの隙間が拡大し、また上下の位置では逆に隙間が縮小してしまう。そして射出後、芯球が元の球体に復元する前にカバー層の一部が固化してしまうことになる。その結果、芯球上に不均一なカバーが形成されてしまう。特に1mmまたはそれ以下の薄肉カバーを成形する場合には、芯球がボールの表面に殆ど露出することさえある。

【0006】また、比較的厚肉のカバーを射出成形する場合においても、上記問題点に基づく不具合は同様であり、また射出圧力に基づくサポートピンの負担が著しく大きく、偏心することがある。

【0007】本発明は上記事情を鑑みてなされたもので、偏心のない均一なカバーを有するゴルフボールを製造することができるゴルフボールの射出成形金型を提供することを目的とする。

【0008】

【課題を解決するための手段】本発明は、上記目的を達成するため、内部に芯球が配置される中空球状のキャビティを有し、このキャビティに開口する複数の成形材料射出ゲートを備えたゴルフボール成形金型において、上記ゲートはその少なくとも一部がキャビティの赤道面から隔たる両側の区域にあり、且つ、総てのゲートからキャビティの中心へ向かって成形材料が夫々同一出力で射出されたとき、射出材料のベクトルの和が実質上0となる位置に各ゲートが配置されていることを特徴とするゴルフボール成形金型を提供する。

【0009】この場合、上記赤道の両区域に設けたゲートは、赤道面に対し15°～90°の位置に設けることができ、各ゲートは、その中心とキャビティの中心を結ぶ軸線につき互に隣合った上記軸線の挟角が総て等しい位置に配置されていることが好ましい。更に、上記ゲートは、キャビティの赤道面の周囲または赤道面の近傍に周上複数箇所等間隔に配置されると共に、両極点の位置に各々1箇所配置されることが好ましい。

【0010】本発明のゴルフボール成形金型は、総てのゲートからキャビティの中心へ向かって成形材料を同一出力で射出したときに、射出材料のベクトルの和が実質上0となるようにゲートを配置しているため、芯球上に1mmまたはそれ以下の薄肉カバーを射出成形する場合においても、射出圧力に起因する芯球の変形(両極方

向へのつぶれ変形)を有利に防止することができ、そのため均一な厚みを有する薄肉カバーを成形することができ、不良品の低減と、均一な弾性を有するゴルフボールが製造できる。

【0011】しかも、射出成形時におけるサポートピンの負担が著しく軽減されるため、これらピンの本数を減らしたり、細くしたり等することができる。

【0012】

【発明の実施の形態及び実施例】以下、本発明につき図1～3を参照して更に詳しく説明する。なお、図1～3において、図4と同一構成部品については同一の参照符号を付し、その説明を省略する。

【0013】第1実施例

図1, 2は本発明の第1実施例を示すもので、図1は側方よりみた金型の断面図、図2は上方よりみた下型の平面図である。

【0014】この金型1は中空球状のキャビティー4を有し、キャビティー4の赤道面位置で2分割される上型2と下型3よりなり、キャビティー4の壁面はゴルフボールカバーの表面にディンプルを型付するための凸部を多数形成している(凸部の図示省略)。キャビティー4の中心部には上型2, 下型3共複数のサポートピン6に支持された芯球5がセットされている。この実施例では、極点10から所定距離(半径)で描いた円上に等間隔に4本のキャビティー4内に進出、後退自在のサポートピン6(上下型共)を備える。

【0015】図1, 2のように芯球5をセットした状態において、芯球5とキャビティー4壁面との隙間の最大値d(芯球とキャビティー壁面のディンプル型付凸部と凸部の間の位置との間の距離)は1mm前後であり、この実施例では、射出前の状態において、dの値は約0.8mmである。

【0016】図1, 2に示す実施例では、カバー成形材料、たとえば樹脂射出のための8個のゲート9(上型に4個、下型に4個)を備える。これらのゲート9は赤道面から隔たった位置に総てが配置されている。なお、各ゲート9は公知のホットランナー8を介して1つのまたは複数の射出成形機(図示せず)に連なる。

【0017】ここで、上記各ゲート9は、これらのゲート9からキャビティー4中心に向かって成形材料を夫々同一出力で射出したとき(同一出力で射出されたと仮定して)、射出材料のベクトルの和が0となる位置に配置されている。

【0018】より具体的には、図1, 2に基づき述べると、各ゲート9は、その中心とキャビティー4の中心を結ぶ軸線につき、互に隣合った軸線の挟角 α (図1), β (図2)が総て等しい($\alpha = \beta = 90^\circ$)位置に配置されている。

【0019】本発明において、赤道面から距離を置いて両側区域に配置されるゲートの位置は、赤道面に対する

ゲートの軸線の角度 γ で示すと $15^\circ \sim 90^\circ$ の範囲が好ましい。

【0020】第2実施例

図3は第2実施例を示すもので、側方よりみた金型断面の概念図である。

【0021】この実施例の特徴は、キャビティー4の赤道面の周囲にゲート9を複数個、たとえば4～12個等間隔に設ける(この実施例では8個等間隔に設ける)と共に、両極点10, 10の位置に各々1個ゲート9を設けた点であるが、この実施例においても、各ゲート9からキャビティー4中心に向かって成形材料を射出したとき、射出材料のベクトルの和は0であり、該ベクトルの和が0になるようにゲート9が設けられているものである。

【0022】なお、この実施例では、芯球5とキャビティー4壁面との距離dは第1実施例と同様である。また、この例にあつては、各ゲート9はコールドランナーを介して射出成形機(図示せず)に連なる。

【0023】上記第2実施例において、両極点位置のゲートは、赤道面周囲位置のゲートよりも開口部を大きくして、射出出力を高めたり、射出出力自体を高めることができる。但し、この場合は両位置の出力のバランスをとる必要があることは勿論である。また、極点位置のゲートは、この位置に限らず、極点から距離(半径)を置いた同心円上に複数個、たとえば3～4個、互いに等しい間隔を置いて設けることもできる。

【0024】赤道面周囲のゲートについては、赤道面の位置は上下型の合せ位置(モールド分割位置)であるため、赤道面周上の位置を避け、赤道面から僅か上下に距離を置いた同一経線上にゲートの対(トンネルゲート)を赤道面の周上に等間隔を置いて設けることができる。

【0025】射出成形機はキャビティー毎に設けたり、ホットランナー化し、射出材料の流動長さを長くすることが好ましい。

【0026】本発明の射出成形金型は、芯球にカバーを被覆、成形するのに用いられるが、この金型を用いた射出成形方法としては公知の方法が採用される。この場合、上述したように射出圧力は1, 400～2, 000 kg/cm^2 という高圧であるが、本発明の金型にあつては、総てのゲートからキャビティーの中心に向かって成形材料が夫々同一出力で射出された場合、射出材料のベクトルの和が実質上0であるから、芯球に対して射出材料の圧力が実質上均等にかかるので、芯球がたとえば赤道面方向に押し潰され、極点方向に楕円球状に変形するというような不都合が生じない。つまり、芯球は射出材料による高圧がかかっても実質上球状に保たれる。このため、カバーを射出成形した場合、均一な厚みのカバーを得ることができ、特に薄いカバーを形成する場合(芯球とキャビティー周壁との間隔が狭い場合)においても、射出圧力に起因する芯球の変形が防止されるの

で、均一な厚みを有する薄カバーを確実に成形することができる。

【0027】また、このように芯球に対して実質上均等に圧力がかかるため、芯球をキャビティー中心に支持するサポートピンの負担が著しく軽減され、このためサポートピンの本数を削減したり、細いサポートピンを使用することができ、更には芯球をキャビティー中心にセットする簡単な別の手段が必要となるが、サポートピンを総てなくすことも可能である。

【0028】なお、本発明において、芯球の種類は

【0029】

【発明の効果】本発明のゴルフボール成形金型によれば、薄いカバーの場合でも偏心のない均一な厚さのカバーを有するゴルフボールを確実に効率よく得ることができる。

*【図面の簡単な説明】

【図1】本発明の第1実施例を説明する側方よりみた金型の断面図である。

【図2】本発明の第1実施例を説明する上方よりみた下型の平面図である。

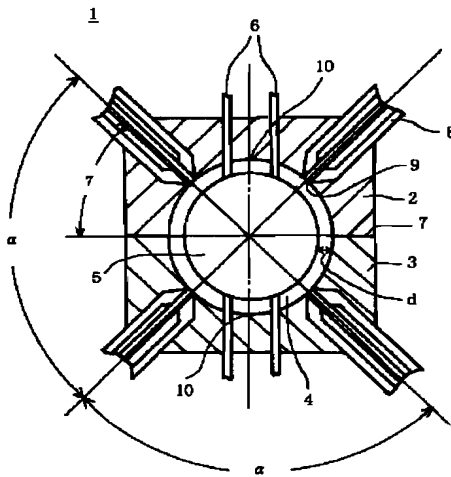
【図3】本発明の第2実施例を説明する成形金型の断面図である。

【図4】従来例の成形金型で、(A)は側方よりみた断面図、(B)は上方よりみた下型の平面図である。

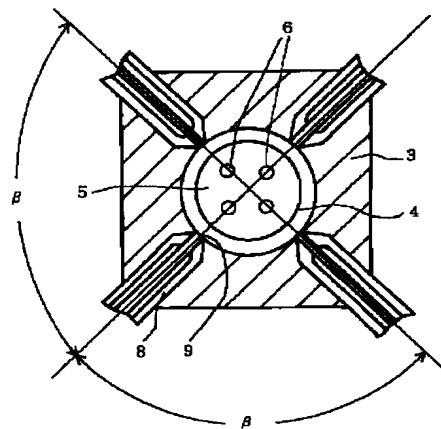
10 【符号の説明】

- 1 金型
- 2 上型
- 3 下型
- 4 キャビティー
- 5 芯球
- 6 サポートピン
- 7 赤道面
- 8 ランナー
- 9 ゲート
- *20 10 極点

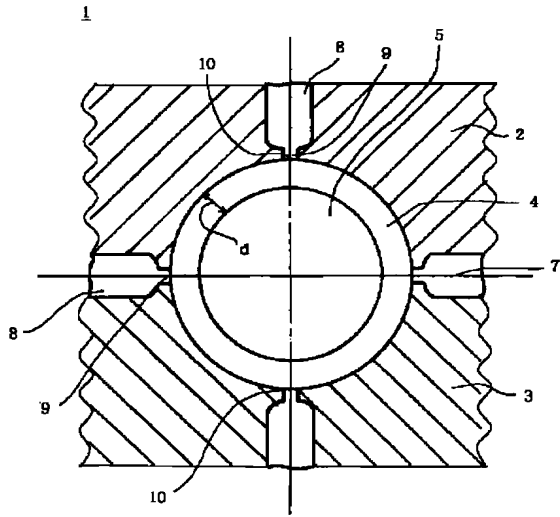
【図1】



【図2】



【図3】



【図4】

